



Item No: FL6000AL

Specification:

W.L.L: 6000LBS

Size: 243x62x18mm

Hole Spacing: 204mm

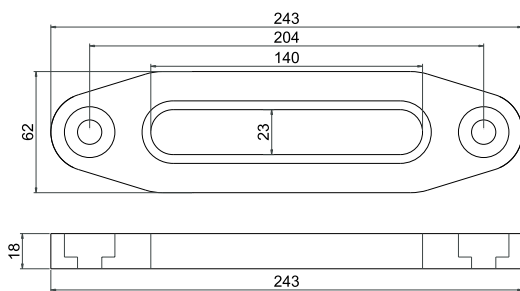
Weight: 460g

Material: Aluminum

Color: Customized

Finish: powder-coated/oxidation

Anti-UV test



Item No: FL9500AL

Specification:

W.L.L: 9500LBS

Size: 297x62x18mm

Hole Spacing: 254mm

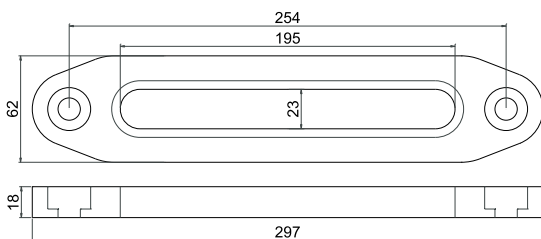
Weight: 548g

Material: Aluminum

Color: Customized

Finish: powder-coated/oxidation

Anti-UV test





Item No: FL10000AL

Specification:

W.L.L: 10000LBS

Size: 300x70x19mm

Hole Spacing: 254mm

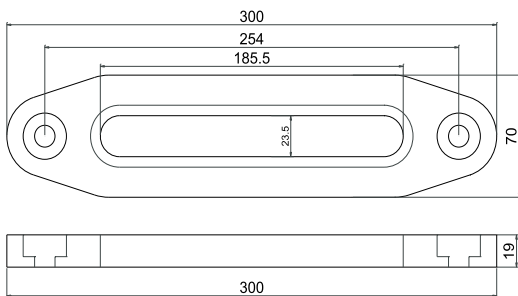
Weight: 660g

Material: Aluminum

Color: Customized

Finish: powder-coated/oxidation

Anti-UV test



Item No: FL12000AL

Specification:

W.L.L: 12000LBS

Size: 297x88x18mm

Hole Spacing: 254mm

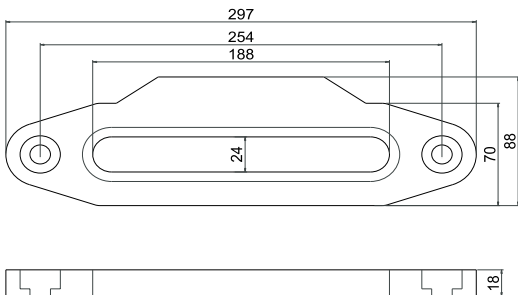
Weight: 760g

Material: Aluminum

Color: Customized

Finish: powder-coated/oxidation

Anti-UV test





Item No: FL12000AL-1

Specification:

W.L.L: 12000LBS

Size: 298x90x20mm

Hole Spacing: 254mm

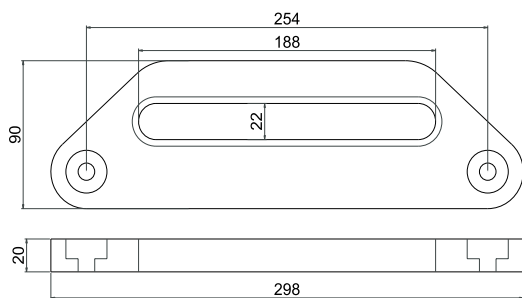
Weight: 970g

Material: Aluminum

Color: Customized

Finish: powder-coated/oxidation

Anti-UV test



Item No: FL16000AL

Specification:

W.L.L: 16000LBS

Size: 300x105x30mm

Hole Spacing: 254mm

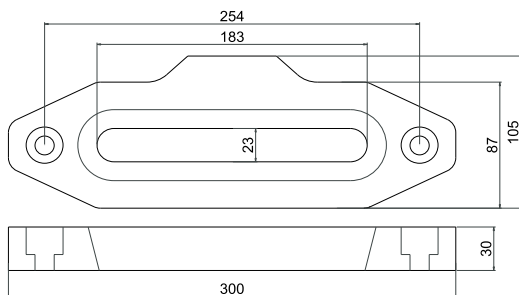
Weight: 1480g

Material: Aluminum

Color: Customized

Finish: powder-coated/oxidation

Anti-UV test





Item No: SN4ST

Specification:

W.L.L: 4000KG

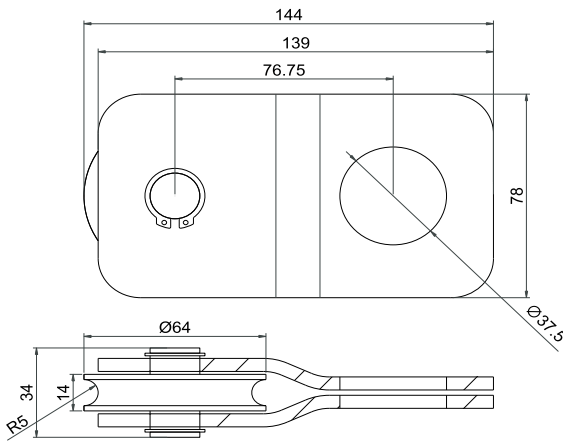
Size: 144x78x34mm

Weight: 1.0kg

Material of Wheel: Steel

Color: Customized

Finish of Side Plates: electrophoresis before
powder-coated/galvanized
500 hours salt spray test



Item No: SN8ST

Specification:

W.L.L: 8000KG

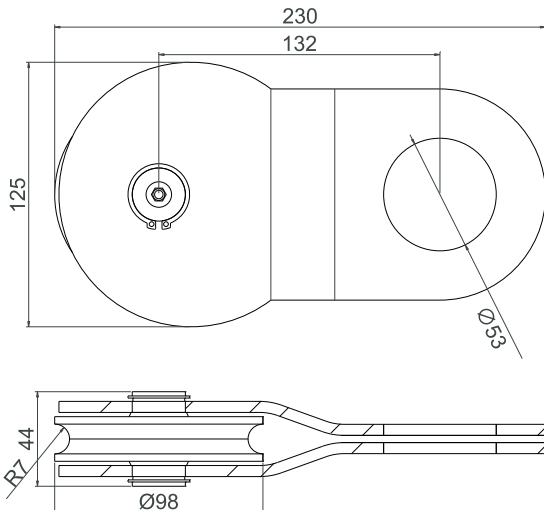
Size: 230x125x44mm

Weight: 2.6kg

Material of Wheel: Steel

Color: Customized

Finish of Side Plates: electrophoresis before
powder-coated/galvanized
500 hours salt spray test





Item No: SN8AL

Specification :

W.L.L: 8000KG

Size: 230x125x44mm

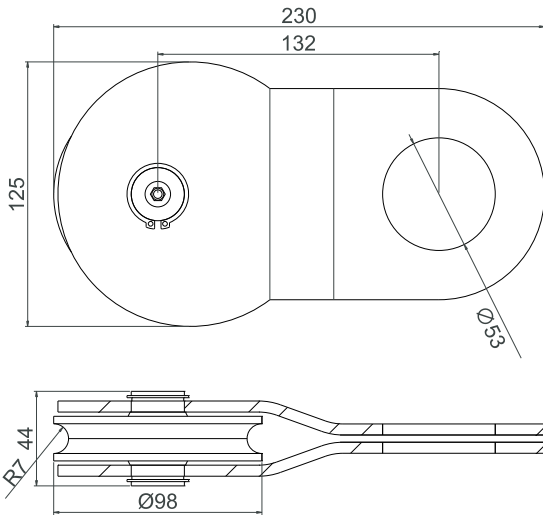
Weight: 2.1kg

Material of Wheel: Aluminum

Color: Customized

Finish of Side Plates: electrophoresis before
powder-coated/galvanized

500 hours salt spray test



Item No: SN8PM

Specification :

W.L.L: 8000KG

Size: 230x125x44mm

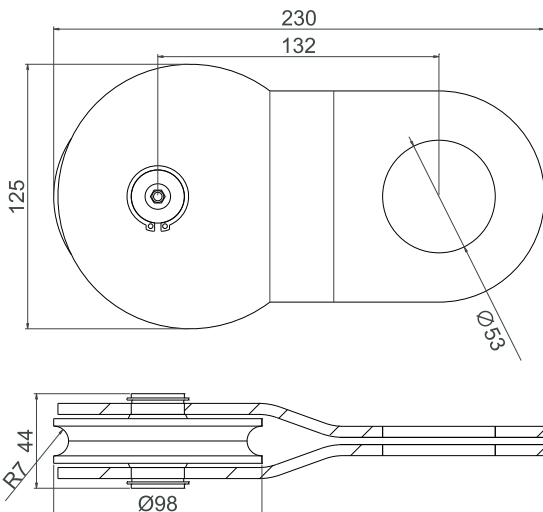
Weight: 1.9kg

Material of Wheel: POM

Color: Customized

Finish of Side Plates: electrophoresis before
powder-coated/galvanized

500 hours salt spray test





Item No: SN10ST

Specification:

W.L.L: 10000KG

Size: 260x130x48mm

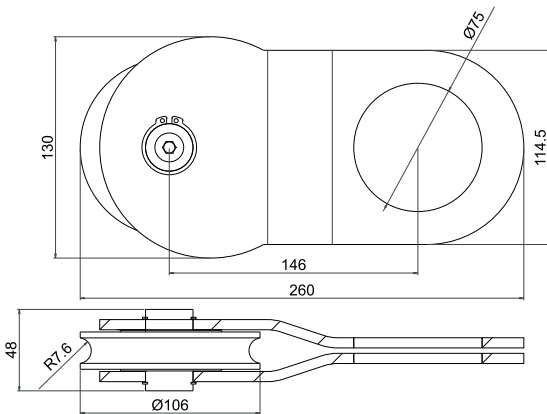
Weight: 3.4kg

Material of Wheel: Steel

Color: Customized

Finish of Side Plates: electrophoresis before
powder-coated/galvanized

500 hours salt spray test



Item No: SN10ST-6

Specification:

W.L.L: 10000KG

Size: 196x100x50mm

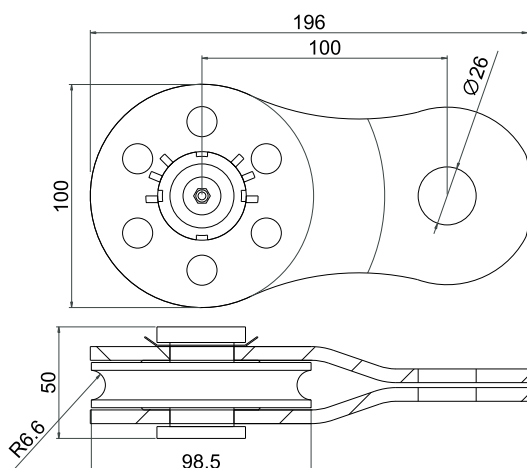
Weight: 2.4kg

Material of Wheel: Steel

Color: Customized

Finish of Side Plates: electrophoresis before
powder-coated/galvanized

500 hours salt spray test





Item No: SN10SS

Specification :

W.L.L: 10000KG

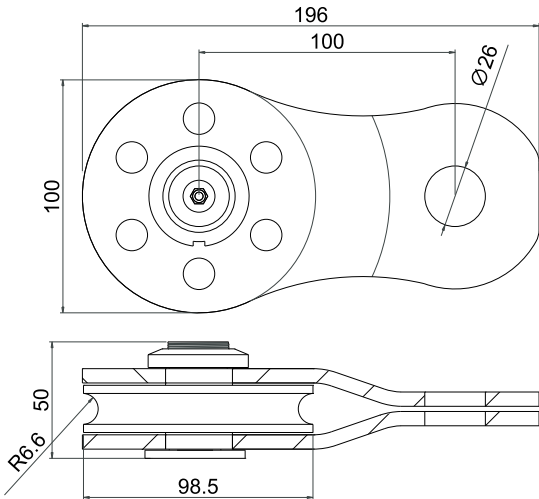
Size: 196x100x50mm

Weight: 2.5kg

Material of Wheel: Stainless Steel

Color: Customized

Finish: polished



Item No: SN12ST

Specification :

W.L.L: 12000KG

Size: 235x120x50mm

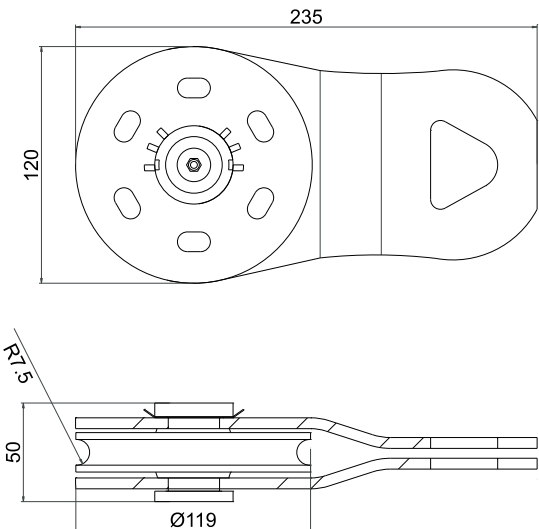
Weight: 2.3kg

Material of Wheel: Nylon

Color: Customized

Finish of Side Plates: electrophoresis before
powder-coated/galvanized

500 hours salt spray test





Item No: SN12SS

Specification:

W.L.L: 12000KG

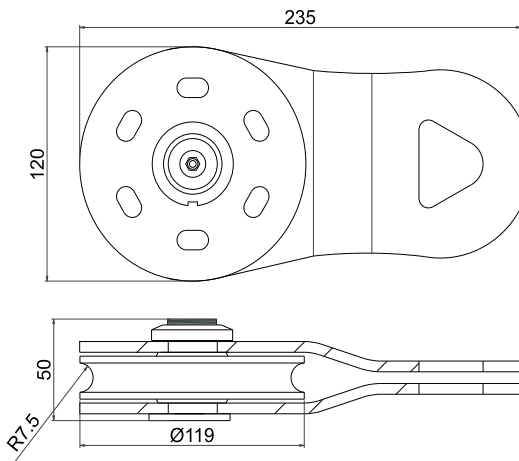
Size: 235x120x50mm

Weight: 3.5kg

Material of Wheel: Stainless Steel

Color: Customized

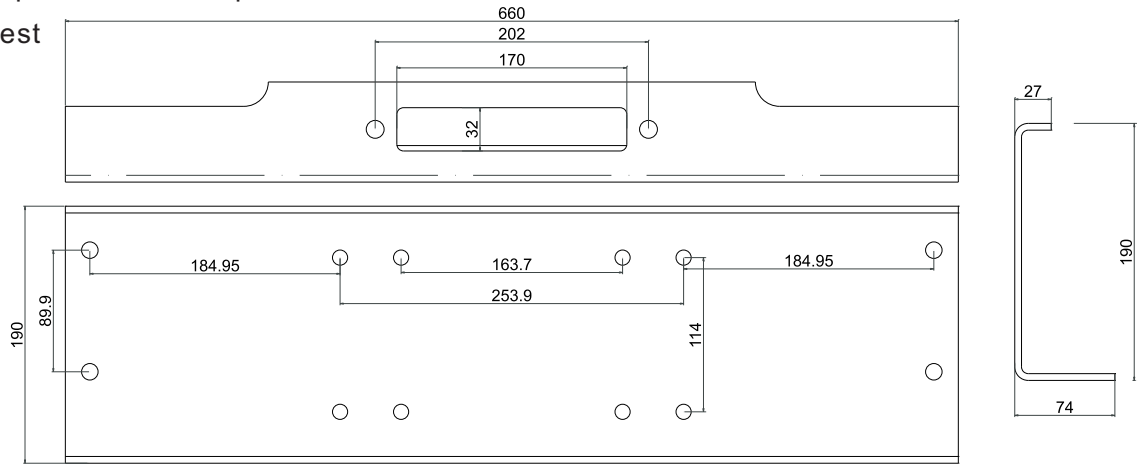
Finish: polished



Item No: WMS70

Specification:

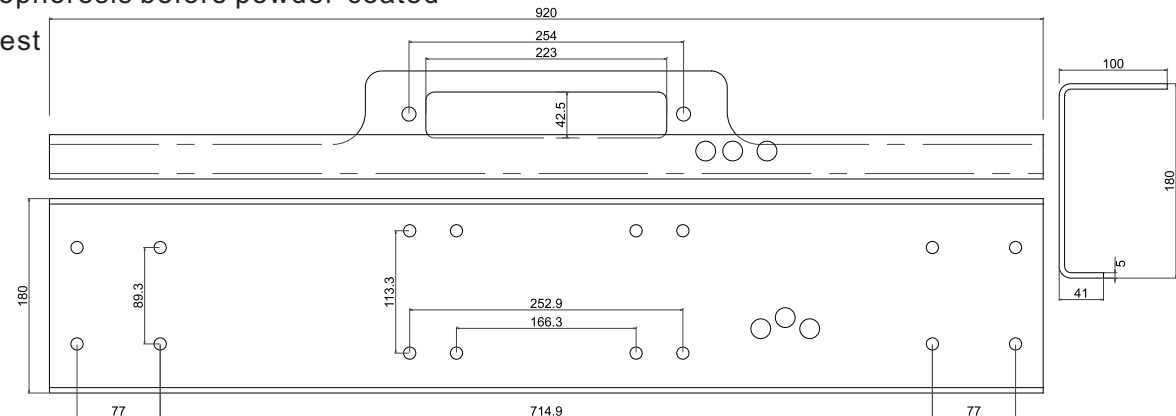
W.L.L: 6000LBS
 Size(LxWxHxT): 660x190x74x5mm
 Fairlead Hole Spacing: 202mm
 Weight: 6.4kg
 Material: Steel
 Color: Customized
 Finish of Plate: electrophoresis before powder-coated
 500 hours salt spray test



Item No: WMS92

Specification:

W.L.L: 9500-12000LBS
 Size(LxWxHxT): 920x180x100x5mm
 Fairlead Hole Spacing: 254mm
 Weight: 8.4kg
 Material: Steel
 Color: Customized
 Finish of Plate: electrophoresis before powder-coated
 500 hours salt spray test



Item No: WMS93

Specification:

W.L.L: 8000-12000LBS

Size(LxWxHxT): 920x180x85x5mm

Fairlead Hole Spacing: 254mm, 280mm

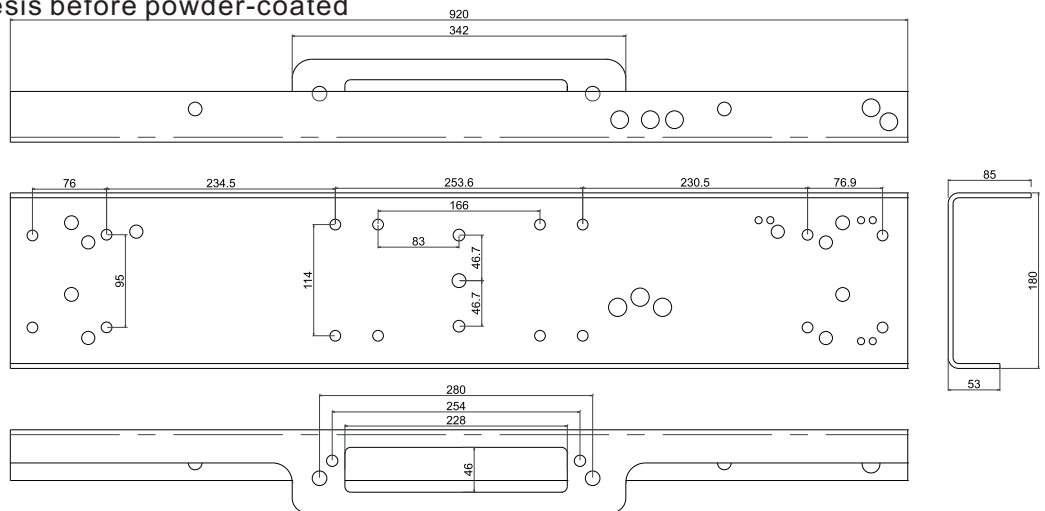
Weight: 8.5kg

Material: Steel

Color: Customized

Finish of Plate: electrophoresis before powder-coated

500 hours salt spray test



Item No: WMS100

Specification:

W.L.L: 10000-16000LBS

Size(LxWxHxT): 673x255x104x6mm

Fairlead Hole Spacing: 254mm

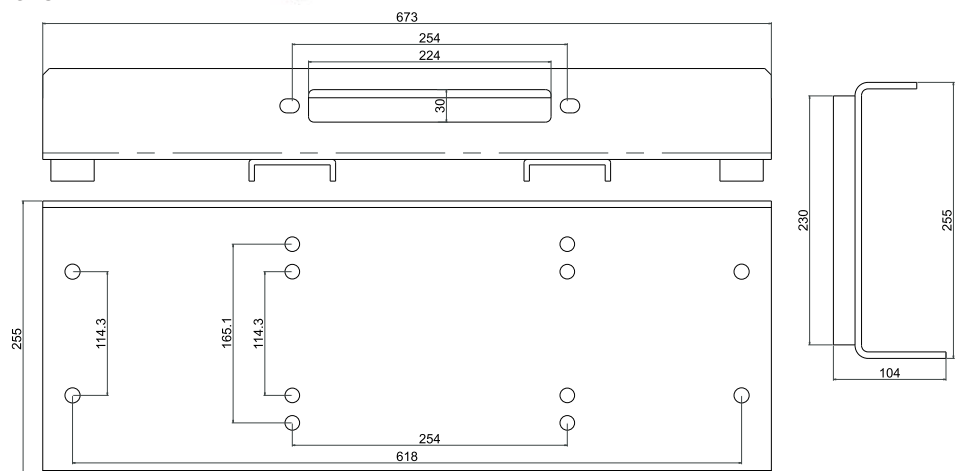
Weight: 15.5kg

Material: Steel

Color: Customized

Finish of Plate: electrophoresis before powder-coated

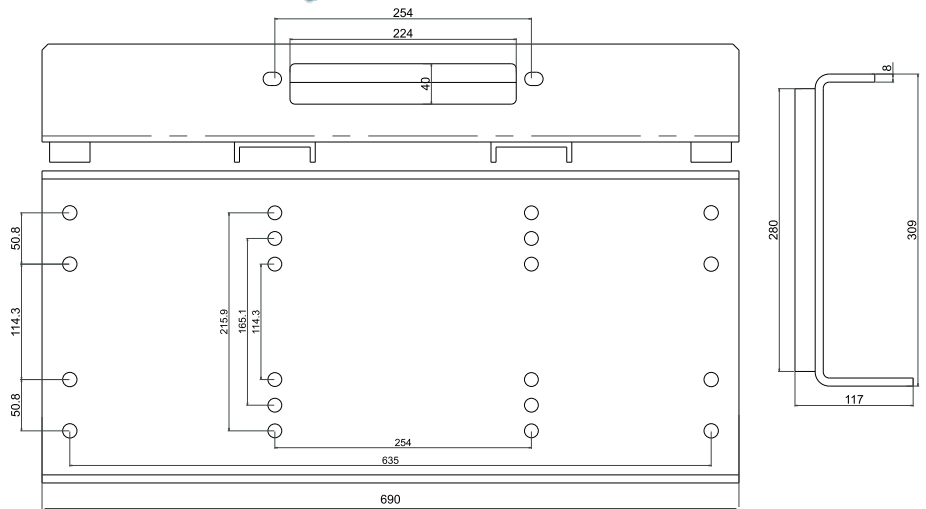
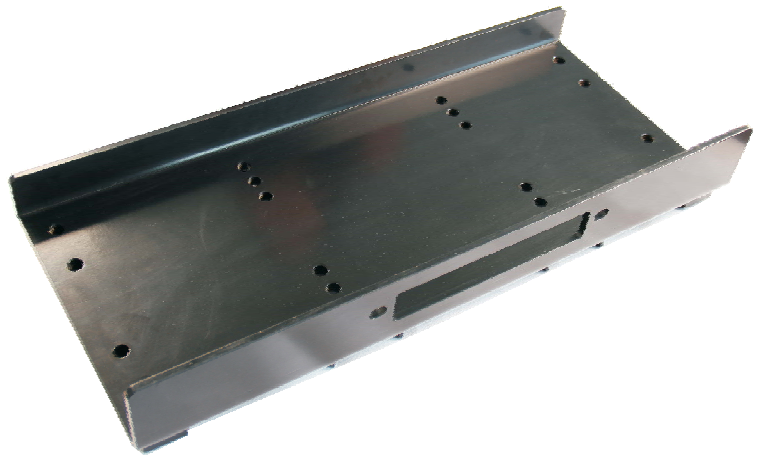
500 hours salt spray test



Item No: WMS200

Specification:

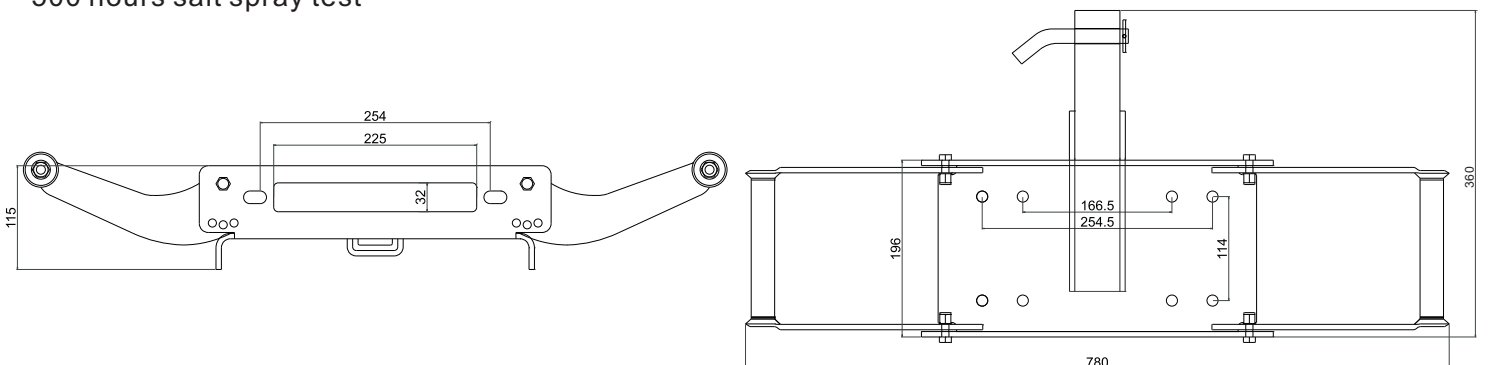
W.L.L: 16000-20000LBS
 Size(LxWxHxT): 690x309x117x8mm
 Fairlead Hole Spacing: 254mm
 Weight: 22.5kg
 Material: Steel
 Color: Customized
 Finish of Plate: electrophoresis before powder-coated
 500 hours salt spray test



Item No: WMS10

Specification:

W.L.L: 8000-16000LBS
 Size(LxWxHxT): 780x360x115x6mm
 Fairlead Hole Spacing: 254mm
 Weight: 10kg
 Material: Steel
 Color: Customized
 Finish of Plate: electrophoresis before powder-coated
 500 hours salt spray test



Item No: WMS20

Specification:

W.L.L: 9500-16000LBS

Size(LxWxHxT): 578x420x180x5mm

Fairlead Hole Spacing: 254mm

Weight: 11.5kg

Material: Steel

Color: Customized

Finish of Plate: electrophoresis before powder-coated

500 hours salt spray test

