



宁波萨尔蒙国际贸易有限公司

NINGBO SALMAN INTERNATIONAL TRADE CO., LTD.

Company Introduction

Ningbo Salman International trade Co., Ltd. which registered capital is RMB 1.88 million Yuan. It is the trading company and manufacturer specializing in researching and developing products such as auto parts, off-road accessories and outdoor rescue tools.

Our factory covers an area of about 10,000 square meters, located next to the beautiful Dong Qian Lake, near Yinxian Avenue and expressway. There is only 20KM from Ningbo port, and the same distance from Ningbo Lishe international airport, the traffic is very convenient. Our office is in Microsoft Building of Juxian Road, No.555, Ningbo National Hi-tech Zone, in the center of Ningbo administration and business district.

We insist on the concept of "Quality Principal, Credit Uppermost ", establishing and perfecting the strict quality standard inspection system, producing high-quality products, offering good service. Products are welcomed in the domestic and foreign market.

Warmly welcome new and old customers at home and abroad to discuss cooperation, and seek common development!



Contents

1 4-Way Roller Fairlead 01

2 Aluminium Fairlead 06

3 Snatch Block.....11

4 Winch Mounting Plate16

5 Farm Jack20

6 Hitch Receiver & Shackle21

7 Other Accessories25

8 Wheel Spacer30



Item No: FL2500ST FL2500SS

Specification:

W.L.L: 2500LBS

Size: 128x87x47mm

Hole Spacing: 109mm

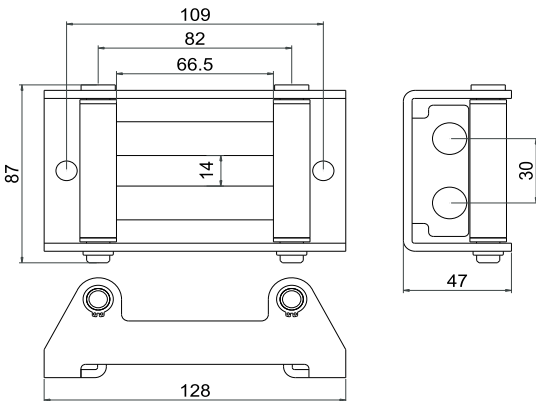
Weight: 0.65kg

Material of Roller: Steel or Stainless Steel

Color: Customized

Finish of Roller Bracket: electrophoresis before
powder-coated

500 hours salt spray test



Item No: FL3500ST FL3500SS

Specification:

W.L.L: 3500LBS

Size: 160x91x48mm

Hole Spacing: 124mm

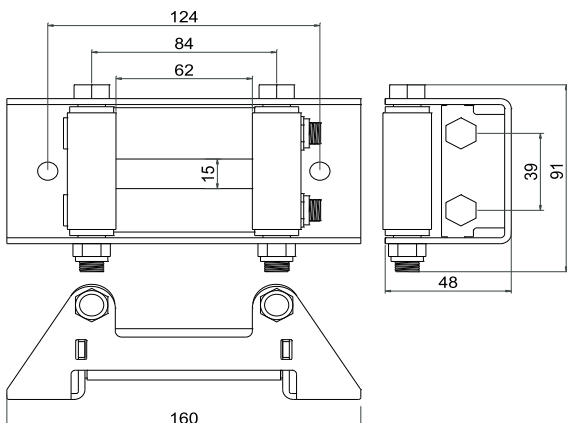
Weight: 1kg

Material of Roller: Steel or Stainless Steel

Color: Customized

Finish of Roller Bracket: electrophoresis before
powder-coated

500 hours salt spray test





Item No: FL4000ST FL4000SS

Specification:

W.L.L: 4000LBS

Size: 190x90x58mm

Hole Spacing: 152mm

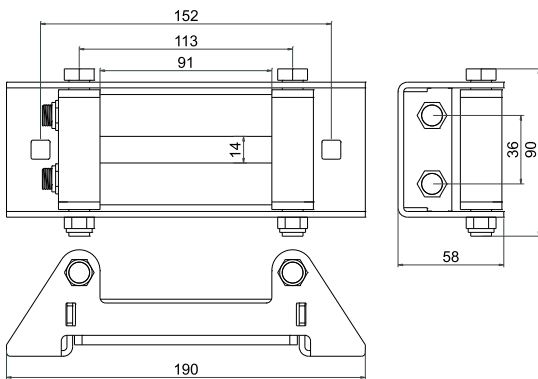
Weight: 1.1kg

Material of Roller: Steel or Stainless Steel

Color: Customized

Finish of Roller Bracket: electrophoresis before
powder-coated

500 hours salt spray test



Item No: FL4500ST FL4500SS

Specification:

W.L.L: 4500LBS

Size: 203x92x60mm

Hole Spacing: 165mm

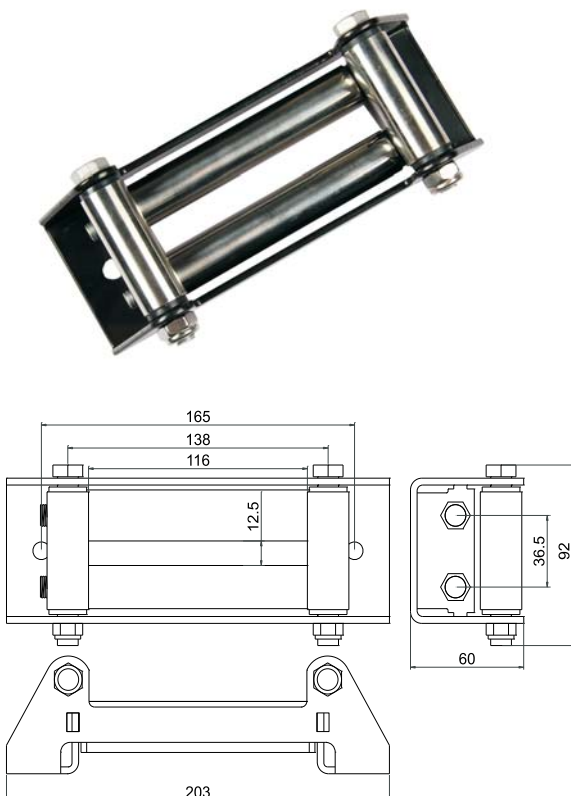
Weight: 1.2kg

Material of Roller: Steel or Stainless Steel

Color: Customized

Finish of Roller Bracket: electrophoresis before
powder-coated

500 hours salt spray test





Item No: FL6000ST

Specification:

W.L.L: 6000LBS

Size: 232x93x64mm

Hole Spacing: 202mm

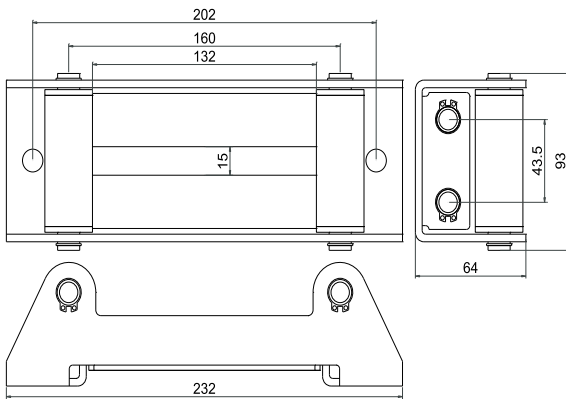
Weight: 2kg

Material of Roller: Steel

Color: Customized

Finish of Roller Bracket: electrophoresis before
powder-coated

500 hours salt spray test



Item No: FL8000ST

Specification:

W.L.L: 8000LBS

Size: 310x106x80mm

Hole Spacing: 280mm

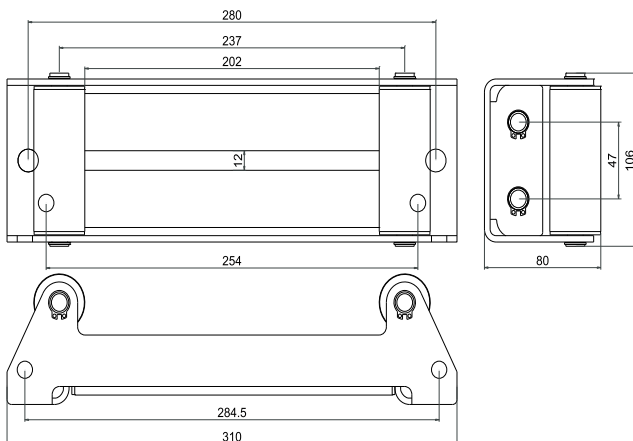
Weight: 3.2kg

Material of Roller: Steel

Color: Customized

Finish of Roller Bracket: electrophoresis before
powder-coated/galvanized/dacromet

500 hours salt spray test





Item No: FL10000ST

Specification:

W.L.L: 10000LBS

Size: 297x126x87mm

Hole Spacing: 254mm

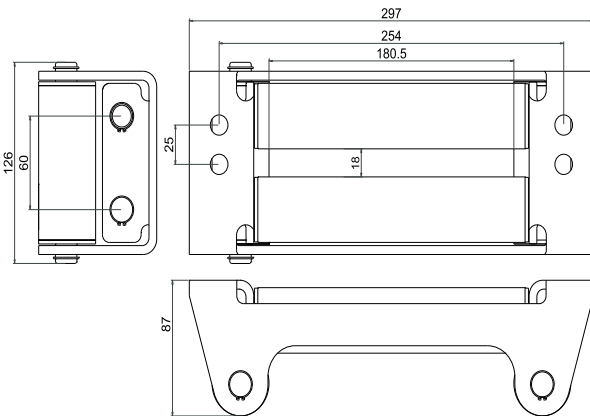
Weight: 4.2kg

Material of Roller: Steel

Color: Customized

Finish of Roller Bracket: electrophoresis before
powder-coated/galvanized/dacromet

500 hours salt spray test



Item No: FL10000SS

Specification:

W.L.L: 10000LBS

Size: 297x126x87mm

Hole Spacing: 254mm

Weight: 4.2kg

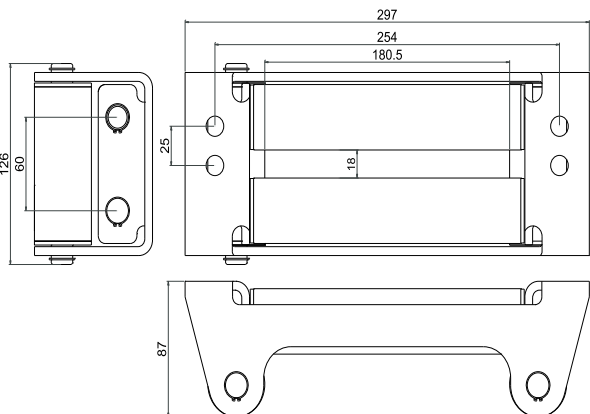
Material of Inner Roller: Steel

Material of Outer Roller: Stainless Steel

Color: Customized

Finish of Roller Bracket: electrophoresis before
powder-coated/galvanized/dacromet

500 hours salt spray test

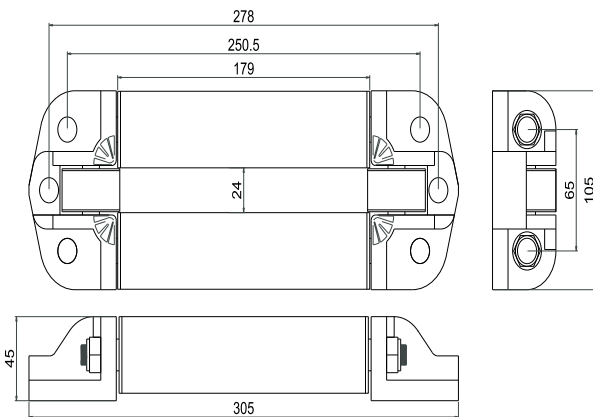




Item No: FL10000ST-L

Specification:

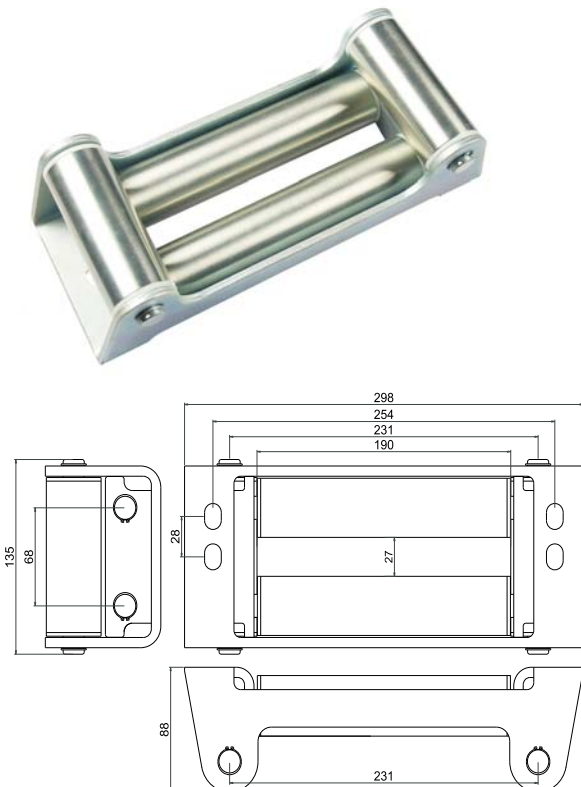
- W.L.L: 10000LBS
- Size: 305x105x45mm
- Hole Spacing: 278mm
- Weight: 2.3kg
- Material of Roller: Steel
- Color: Customized



Item No: FL16000ST

Specification:

- W.L.L: 16000LBS
- Size: 298x135x88mm
- Hole Spacing: 254mm
- Weight: 5.1kg
- Material of Roller: Steel
- Color: Customized
- Finish of Roller Bracket: electrophoresis before powder-coated/galvanized/dacromet
- 500 hours salt spray test

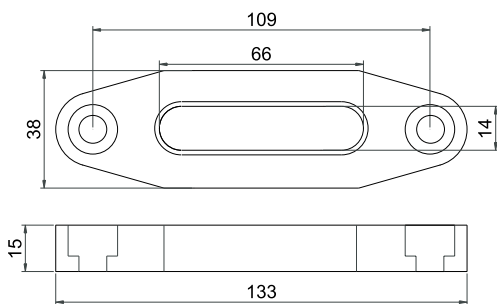




Item No: FL2500AL

Specification:

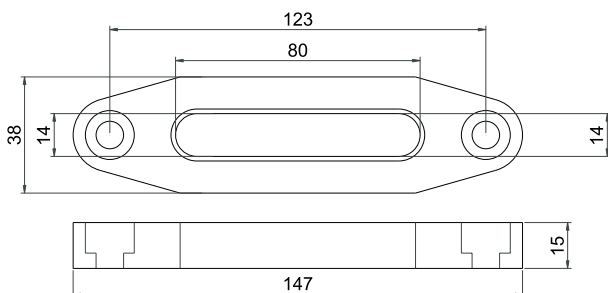
W.L.L: 2500LBS
 Size: 133x38x15mm
 Hole Spacing: 109mm
 Weight: 128g
 Material: Aluminum
 Color: Customized
 Finish: powder-coated/oxidation
 Anti-UV test



Item No: FL3500AL

Specification:

W.L.L: 3500LBS
 Size: 147x38x15mm
 Hole Spacing: 123mm
 Weight: 139g
 Material: Aluminum
 Color: Customized
 Finish: powder-coated/oxidation
 Anti-UV test

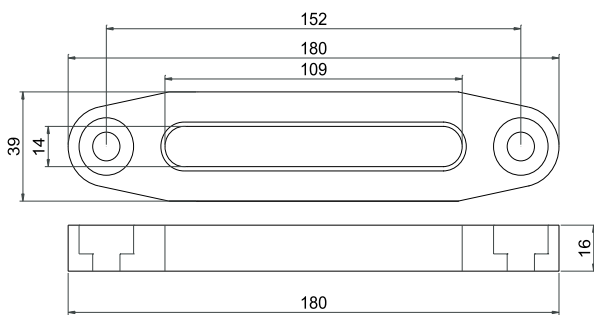




Item No: FL4500AL

Specification:

- W.L.L: 4500LBS
- Size: 180x39x16mm
- Hole Spacing: 152mm
- Weight: 186g
- Material: Aluminum
- Color: Customized
- Finish: powder-coated/oxidation
- Anti-UV test



Item No: FL5000AL

Specification:

- W.L.L: 5000LBS
- Size: 222x62x18mm
- Hole Spacing: 182mm
- Weight: 420g
- Material: Aluminum
- Color: Customized
- Finish: powder-coated/oxidation
- Anti-UV test

